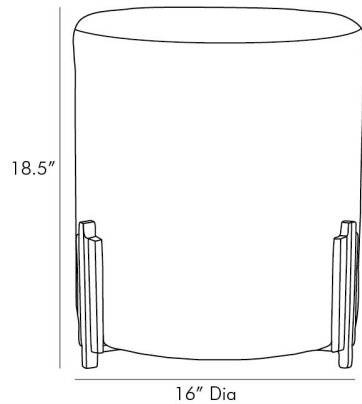


ARTERIOS

WARBY OTTOMAN STERLING VELVET



6931
H: 18.5 IN, Dia: 16.00 IN
Sterling Velvet
Contract Suitable As Is

Brimming with class, this drum-style ottoman, upholstered in velvet, sits atop a polished brass base with details that recall Art Deco style. The contrast of texture is both elegant and inviting. This sophisticated seating solution is a great way to add a dash of drama and a touch of color to a space. Finish may vary.

APPEARANCE

Material Aluminum, Velvet
Finish Polished Brass
Top Coat/Sealant false

DIMENSIONS

Foot Print Dia: 16.00 IN
Yardage To Reupholster 1

SHIPPING

Product Weight 12 LBS
Gross Weight 1 18 LBS
Shipping Box 1 H: 21 IN, L: 19 IN, W: 19 IN

ADDITIONAL INFO

Fabric Composition 54% Viscose, 46% Cotton
Fabric Double Rub Count 100,000
Fabric Compliancy Barrier Cloth used for TB117-2013 and NFPA-260

CONTRACT

Contract Suitable true
Contract Textile Suitability High Traffic/Public Spaces
Swatch Number V24SW, V248X8